

**Warewashing  
Hood Type Dishwasher, Single Skin  
with Drain Pump & Detergent  
Dispenser, ESD**

ITEM # \_\_\_\_\_

MODEL # \_\_\_\_\_

NAME # \_\_\_\_\_

SIS # \_\_\_\_\_

AIA # \_\_\_\_\_



504299 (ZHT8EG)

Hood type dishwasher, with single skin manual hood, atmospheric boiler, built-in detergent dispenser, rinse aid dispenser and drain pump, ESD, 80r/h

**Short Form Specification**

Item No. \_\_\_\_\_

304 Stainless steel construction to include single skin hood, external, front and side panels, wash tank, tank filter plus wash and rinse arms. Uses 2 liters of clean water per final rinse cycle. 84°C rinse temperature and pressure guaranteed by built in atmospheric boiler and built in rinse booster pump. Unit to feature Guaranteed Rinse System (ACTIVE) led light. Green light will indicate that all items washed have been properly rinsed. Energy Saving Device recovers the heat inside the machine to heat-up the incoming water to the boiler. Washing performance is guaranteed by a powerful 0.8 kW wash pump and upper and lower stainless steel revolving washing spray arms. The unit shall include drain pump, detergent and rinse aid dispenser pumps and is equipped with flexible fill hoses. Convertible from straight to corner operation and delivered on height-adjustable feet.

**Main Features**

- NSF/ANSI 3 and DIN 10512 compliant.
- Maximum capacity per hour of 80 racks or 1.440 dishes (High productivity mode) easy to switch to 63 racks or 1.134 dishes (NSF/ANSI 3 mode) by pressing a button.
- 45/84/150 seconds cycles (High productivity mode); 57/84/150 seconds cycles (NSF/ANSI 3 mode).
- Built-in atmospheric boiler sized to raise incoming water to a minimum of minimum 84 °C for sanitizing rinse. No external booster is required. Constant temperature of 84 °C throughout the rinsing cycle regardless of the network's water pressure.
- Unique temperature interlock guarantees required temperatures in both the wash and final rinse in case of emergency cold water feeding.
- Incorporated Soft Start feature to offer additional protection to more delicate items.
- Slanted wash arms to avoid detergent-filled wash water dropping on clean dishes after the rinsing phase, thus guaranteeing ideal washing results.
- Cycle may be interrupted at any time by lifting the hood.
- Automatic self-cleaning cycle and self-draining vertical wash pump and boiler to avoid bacteria proliferation.
- State-of-the-art electronic controls with built-in programming, self-diagnostics for serviceability and automatic interior self-cleaning cycle.
- Built-in rinse aid and detergent dispenser with automatic initial and continuous cycle loading for perfect result while minimizing service and maintenance needs.
- Boiler power setting from control panel to facilitate technician's operation when reducing total installed power, thus avoiding the need of machine opening.
- Three phase electrical connection, convertible to single phase on-site.
- IP25 protection against water jets, solid objects and small animals (larger than 6 mm).
- Green light of "WASH SAFE CONTROL" confirms that items have been rinsed properly.

**Construction**

- Heavy duty Stainless steel construction. Internal cavity as well as exterior panels are in 304 series Stainless steel.
- Pressed tank in front position to facilitate cleaning.
- Single skin hood supported by 3 springs to ensure smooth movement and guarantee operator safety.
- Specially designed Stainless steel wash/rinse arms and nozzles provide superior cleaning action.
- Revolving interchangeable Stainless steel wash/rinse arms above and below the rack, screw out for simple clean up.
- Pre-arranged for on-site HACCP implementation and Energy Management device.
- Element protection from dry fire and low water.
- Unit to include drain, detergent and rinse aid dispenser pumps

**Sustainability**

- Requires only 2 liters of water per washing cycle thus ensuring low energy, water, detergent and rinse aid consumption.
- Built-in high efficiency Energy Saving Device (ESD) transfers

APPROVAL: \_\_\_\_\_

**Warewashing  
Hood Type Dishwasher, Single Skin with Drain Pump & Detergent Dispenser, ESD**

the heat captured inside the machine to the incoming cold water before entering the boiler, thus saving energy; no ventilation hood is needed for the machine (depending on local regulation and conditional on compliance with VDI 2052).

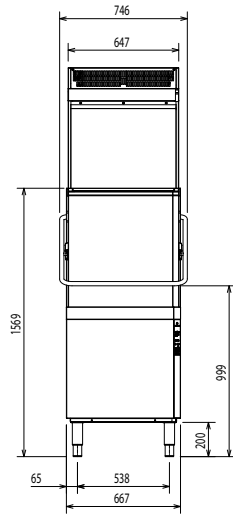
**Included Accessories**

- 2 of Yellow cutlery container PNC 864242
- 1 of Basket for 18 dinner plates or 27 side plates (max. diam. 240 mm) PNC 867002

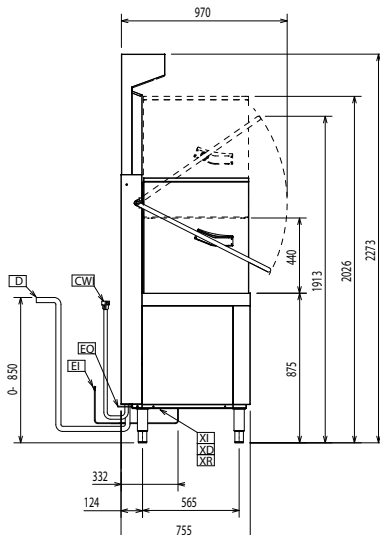
**Optional Accessories**

- Connectivity kit for Double Skin Hood Type Dishwashers (ECAP) PNC 864007
- Delimiting device kit (pump and air gap) for hood type PNC 864526

**Front**

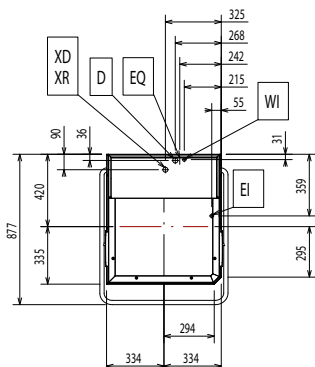


**Side**



- CW11** = Cold Water inlet 1 (cleaning)
- D** = Drain
- EI** = Electrical inlet (power)
- EO** = Electrical Outlet
- V** = Vents
- WI** = Water inlet
- XD** = Detergent connection
- XI** = Chemicals inlet (generic)
- XR** = Rinse aid connection

**Top**



**Electric**

Supply voltage:	400 V/3N ph/50 Hz
Convertible to:	230V 1N~; 230V 3~
Default Installed Power:	9.9 kW
Boiler heating elements:	9 kW
Tank heating elements:	3 kW
Wash pump size:	0.8 kW

**Water:**

Water supply temperature*:	10-20 °C
Drain line size:	20.5mm
Inlet water supply pressure:	0.5-7 bar
Water consumption per cycle (lt):	/ 2
Boiler Capacity (lt):	12
Tank Capacity (lt):	24

**Key Information:**

N° of cycles:	3
Duration cycle*:	45/84/150 sec.
Duration cycle - NSF/ANSI 3 compliant:	57/84/150 sec.
Racks per hour*:	80
Racks per hour - NSF/ANSI 3 compliant:	63
Dishes per hour*:	1440
Dishes per hour - NSF/ANSI 3 compliant:	1134
Wash temperature:	55-65 °C
Wash temperature - NSF/ANSI 3 compliant:	75 °C
Rinse temperature:	84 °C
Net weight:	150 kg
Shipping weight:	129 kg
Shipping volume:	1.23 m³
Shipping volume (ESD):	0.33 m³

<b>Packaging size (WxDxH):</b>	870x730x1620 mm
<b>Packaging size ESD (WxDxH):</b>	730x930x480 mm
<b>Shipping weight (ESD):</b>	79 lbs (36 kg)

\* Productivity guaranteed at any supply temperature allowed in the range above. To ensure full energy recovery, an extra 11 seconds is required.

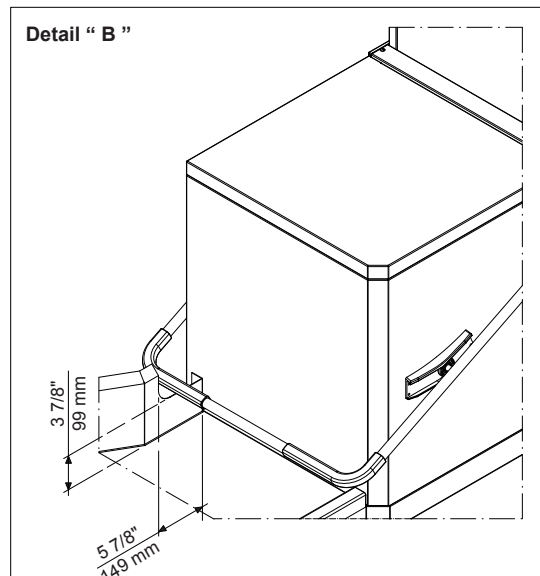
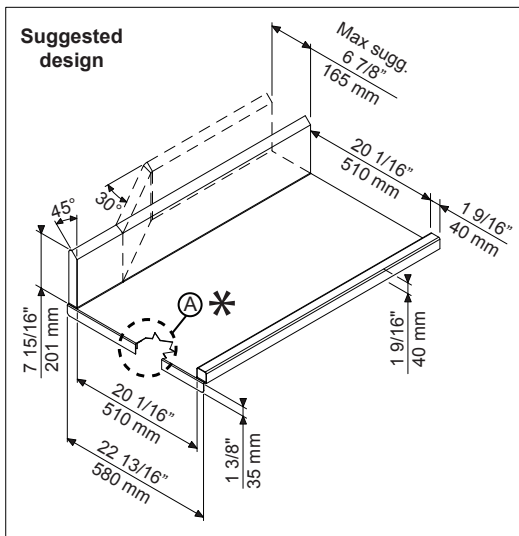
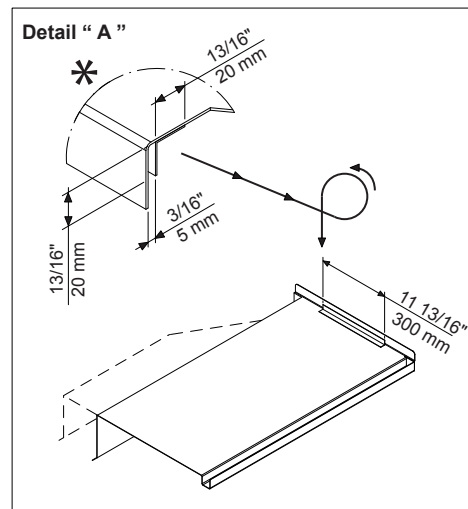
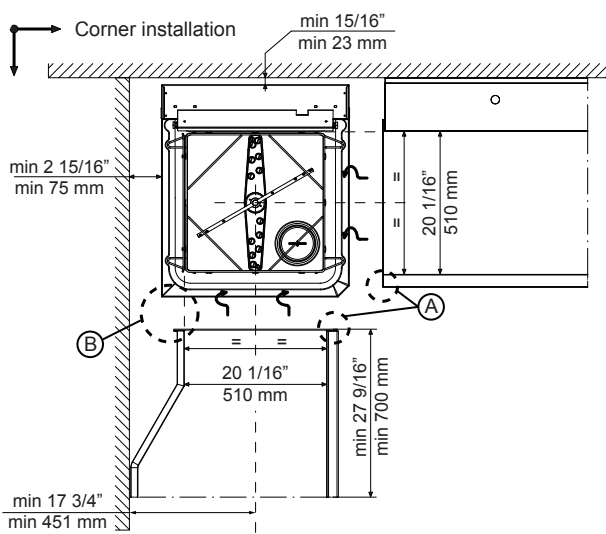
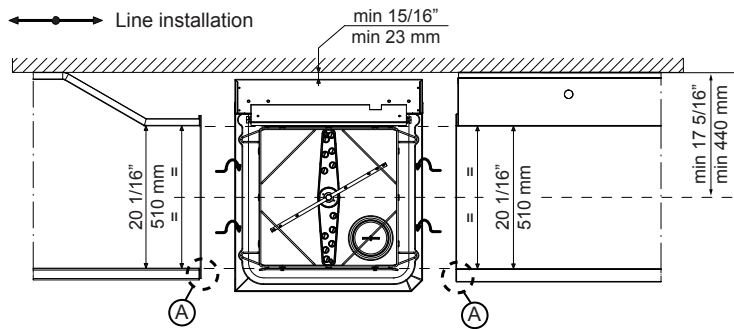
**Air Emission:**

<b>Air humidity:</b>	504299 (ZHT8EG)	55%
<b>Latent heat:</b>	504299 (ZHT8EG)	350 W
<b>Sensible heat:</b>		1490 W
<b>Air Flow:</b>		170 m³/h
<b>Air temperature:</b>		26 - 29 °C

**Sustainability**

<b>Noise level:</b>	<68 dBA
---------------------	---------

Recommended table connection



All tables must be connected to the dishwashing units according to local regulations and industry standards which may differ from the recommendations herein suggested. Electrolux Professional is not liable for any failure in complying with local design standards.

Doc Nr : 59566BF00